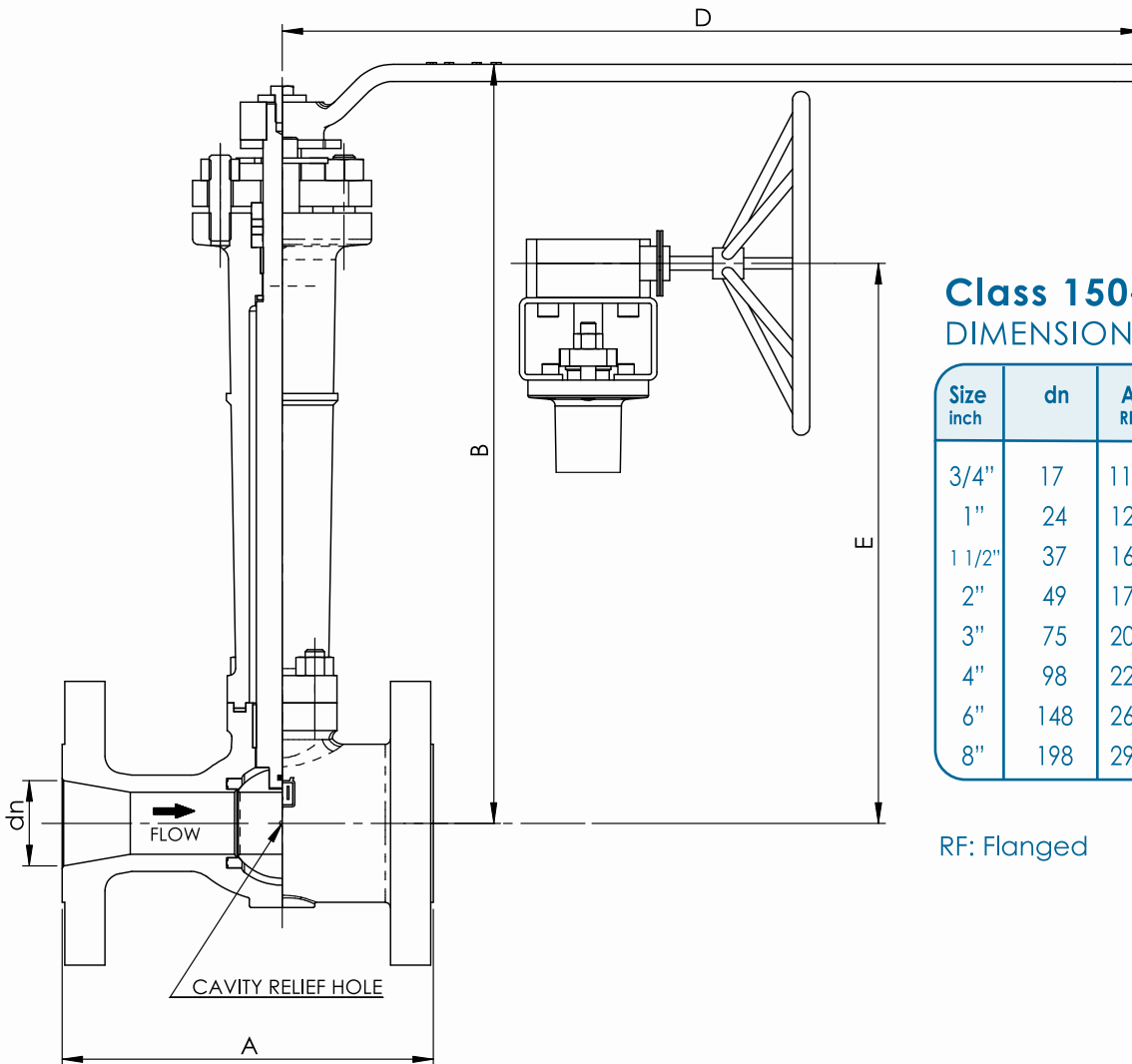


END ENTRY BALL VALVES - Class 150#



**Class 150#
DIMENSIONS AND WEIGHTS**

Size inch	dn	A RF	B	C	E
3/4"	17	117	438	300	
1"	24	127	454	400	
1 1/2"	37	165	471	500	
2"	49	178	506	600	
3"	75	203			531
4"	98	229			547
6"	148	267			586
8"	198	292			637

RF: Flanged

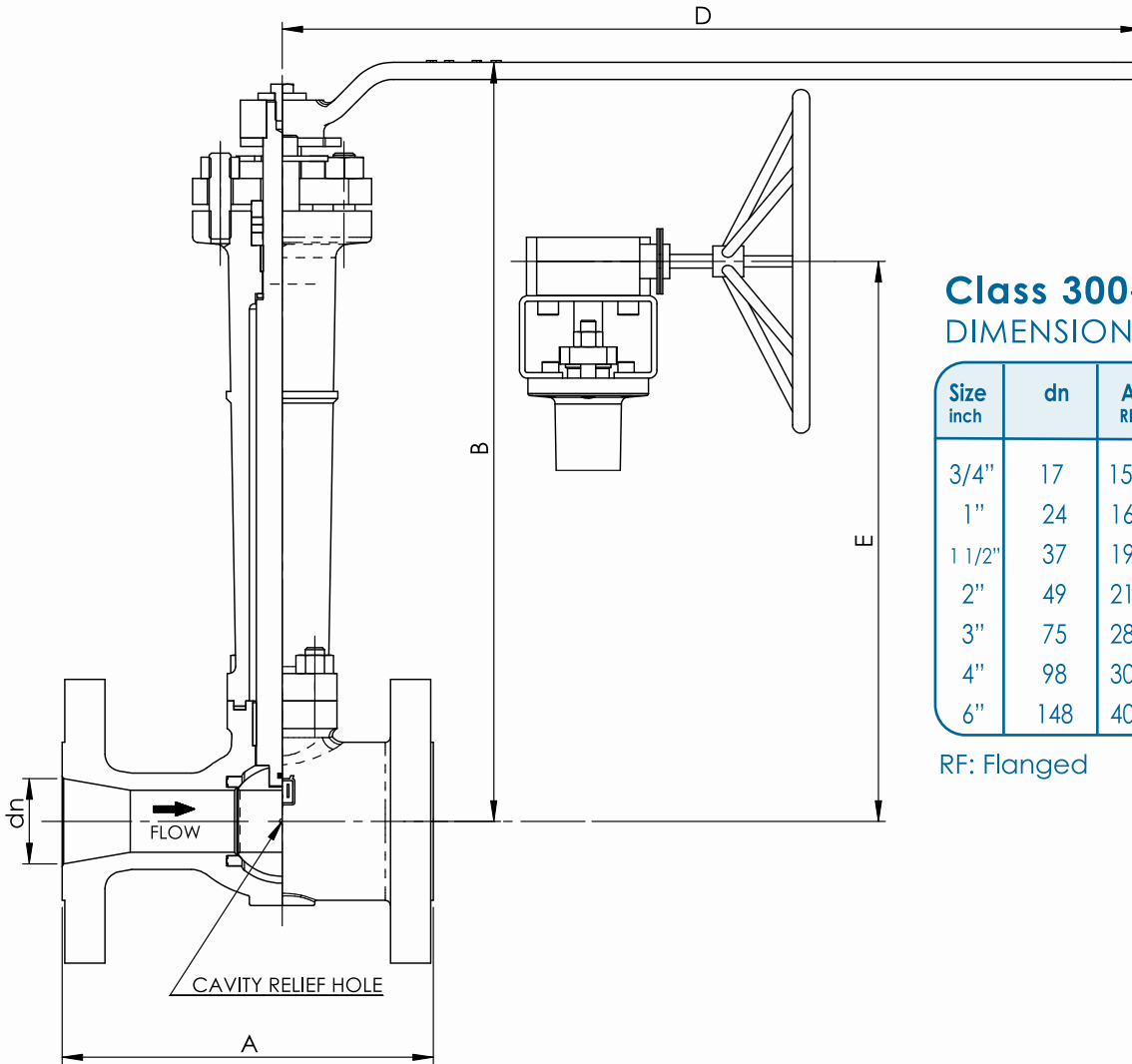
STANDARDS

Design	ANSI B16.34 & BS6364
Test	API 598/BS6364
Face to Face dimensions	ANSI B16.10
End Flange Dimensions	ANSI B16.5

AVAILABLE OPTIONS:

STRUCTURE	End Connection:	Flange Raised Face
	Operation:	Handwheel, Gear, Electric, Pneumatic, Hydraulic...
	Body:	CF8,CF8M,CF3,CF3M,CF8C...
CONSTRUCTION	Trims:	304,304L,316,316L,321,347,...
	Seat Rings:	RPTFE, KEL-F, VESPEL,...
ACCESSORIES	Limited switches, padlock, collar drip,...	

END ENTRY BALL VALVES - Class 300#



**Class 300#
DIMENSIONS AND WEIGHTS**

Size inch	dn	A RF	B	C	E
3/4"	17	152	450	400	
1"	24	165	477	400	
1 1/2"	37	190	485	500	
2"	49	216	526	500	
3"	75	282			542
4"	98	305			563
6"	148	403			606

RF: Flanged

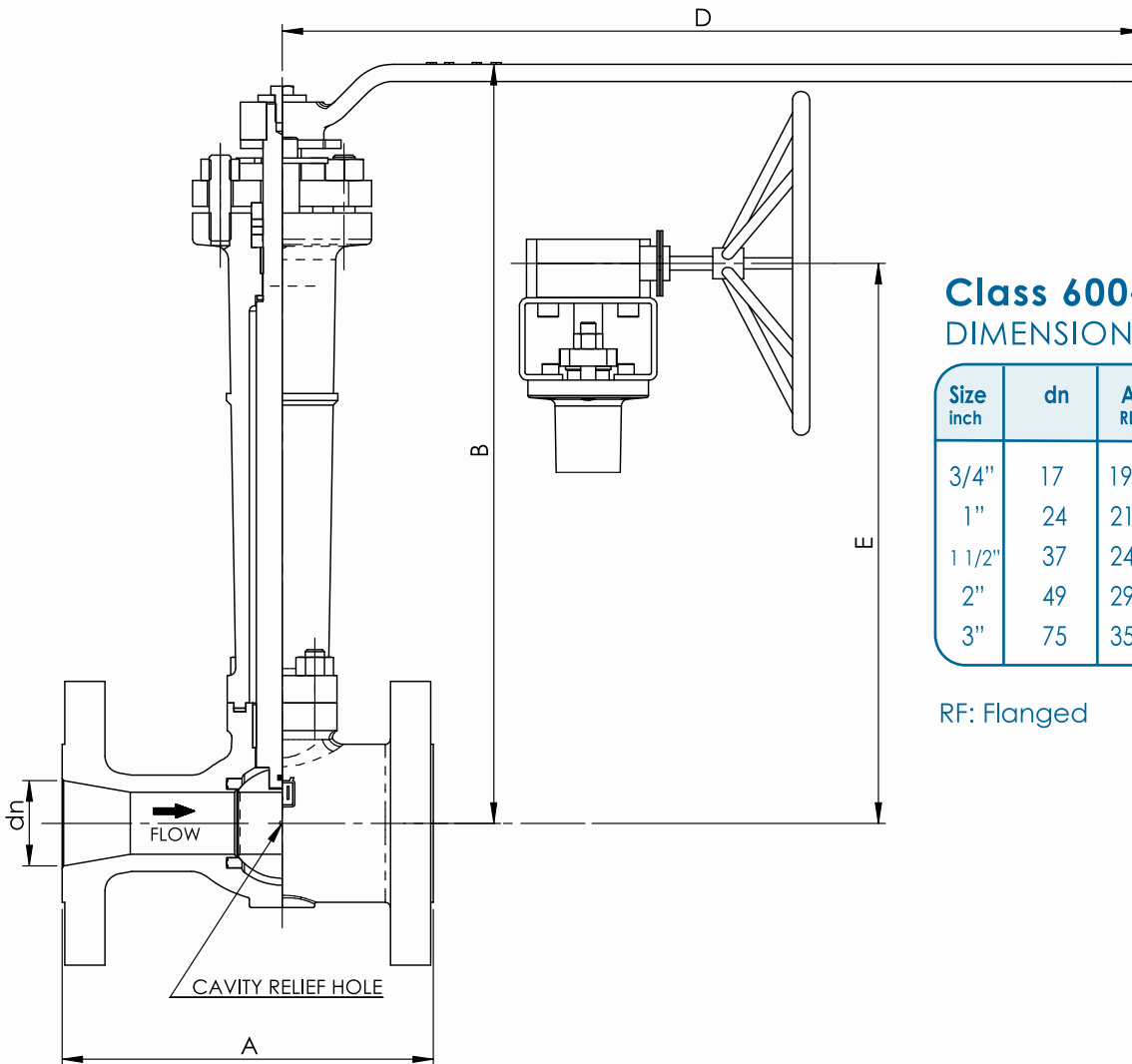
STANDARDS

Design	ANSI B16.34 & BS6364
Test	API 598/BS6364
Face to Face dimensions	ANSI B16.10
End Flange Dimensions	ANSI B16.5

AVAILABLE OPTIONS:

STRUCTURE	End Connection:	Flange Raised Face
	Operation:	Handwheel, Gear, Electric, Pneumatic, Hydraulic...
	Body:	CF8,CF8M,CF3,CF3M,CF8C...
CONSTRUCTION	Trims:	304,304L,316,316L,321,347,...
	Seat Rings:	RPTFE, KEL-F, VESPEL,...
ACCESSORIES	Limited switches, padlock, collar drip,...	

END ENTRY BALL VALVES - Class 600#



**Class 600#
DIMENSIONS AND WEIGHTS**

Size inch	dn	A RF	B	C	E
3/4"	17	190	462	400	
1"	24	216	498	500	
1 1/2"	37	241	502	600	
2"	49	292			573
3"	75	356			612

RF: Flanged

STANDARDS

Design	ANSI B16.34 & BS6364
Test	API 598/BS6364
Face to Face dimensions	ANSI B16.10
End Flange Dimensions	ANSI B16.5

AVAILABLE OPTIONS:

STRUCTURE	End Connection:	Flange Raised Face
	Operation:	Handwheel, Gear, Electric, Pneumatic, Hydraulic...
	Body:	CF8,CF8M,CF3,CF3M,CF8C...
CONSTRUCTION	Trims:	304,304L,316,316L,321,347,...
	Seat Rings:	RPTFE, KEL-F, VESPEL,...
ACCESSORIES	Limited switches, padlock, collar drip,...	